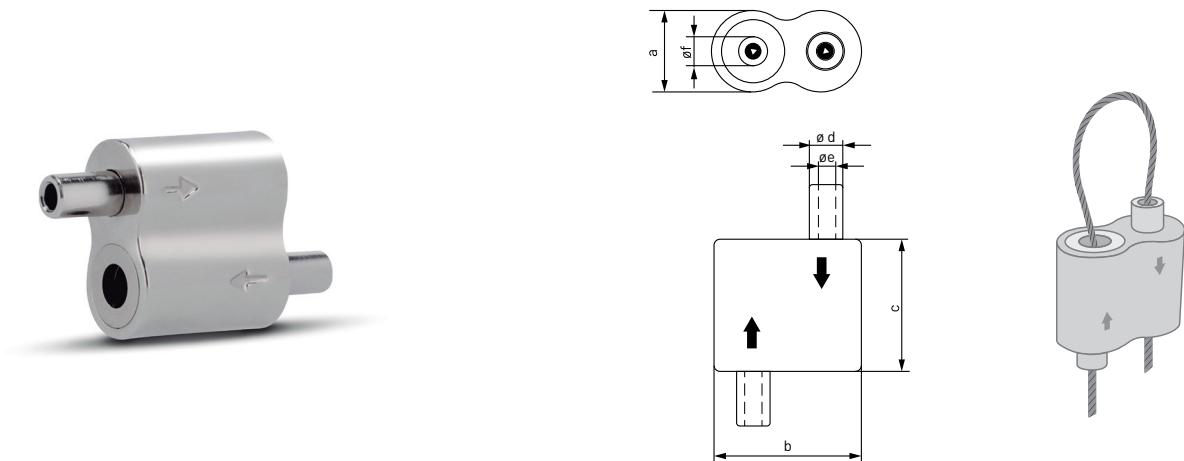


# Wire rope gripper – UNILOQ



The UNILOQ self-locking cable stop and adjuster is a two-way device designed to create adjustable loops in small diameter cables or ropes.

Its self-locking feature means that pressing tools and accessories are not required, making its assembly easier, faster and cheaper.

It can be used to fasten any type of material that must remain suspended in a certain space or place.

**MATERIAL:** Alloy steel bracket with nickel plating  
Brass internal mechanism

Ø Measure Wire rope		Denomination	Part Number	a	b	c	Ø d	Ø e	Ø f	Load-bearing		Box Quantity	Outer Box Quantity
A	B									A	B		
0,8	1,2	REGCAB0812	09225023	9,5	17,5	16,0	3,4	1,7	2,5	10 kg	50 kg	100	1.000
1,5	2,0	REGCAB152	09225034	12,0	22,0	19,5	5,0	2,7	4,9	20 kg	90 kg	100	1.000
2,5	3,0	REGCAB253	09225045	18,0	30,0	30,0	6,7	3,5	6,0	150 kg	350 kg	50	200