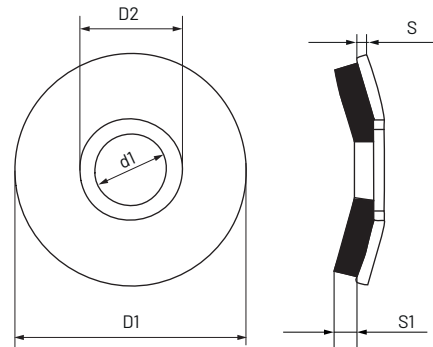
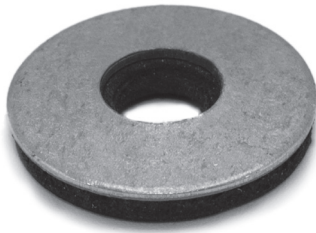


# Washer with EPDM seal



Washers with EPDM seal are made of galvanised steel and have an EPDM coating. EPDM is a rubber that adheres to the washer, is highly resistant to atmospheric environments and seals the product.

**MATERIAL:** Sheet steel washer  
EN 10142 Dx51 (DIN 1.0226)  
EP 74V ethylene  
propylene diene diene  
monomer rubber (EPDM) seal

**FINISH:** Zinc-plated

**HARDNESS:** 70-76°

Measure Ø D1 (Ø d1 bolt)	Part Number	Ø D1	Ø D2	Ø d1 ±0.4	S	S1	Box Quantity	Outer Box Quantity
16 (5,5)	04390913	16	6,6	4,4	0,80	2,20	1.000	10.000
18 (6,3)	04390923	18	6,6	5,2	0,80	2,20	1.000	10.000
25 (6,3)	04390933	25	6,6	5,2	0,80	2,20	250	4.000