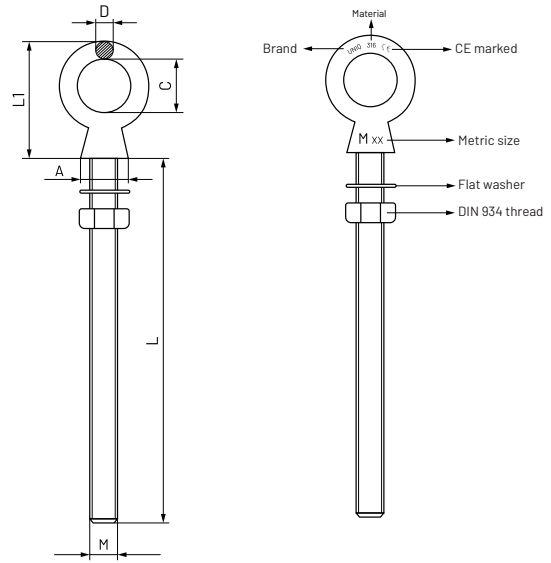


Long eye bolt with washer and nut



This eyebolt can be applied on bases up to 120 mm thick. It includes the washer and the corresponding nut to tighten it. It is perfect for lashing ropes and rigging related to the nautical and maritime sector

MATERIAL: Stainless steel AISI 316

Thread size Metric MxL	Denomination	Part Number	L	L1	A	C	D	Workload S.W.L (kg)	Box Quantity	Outer Box Quantity
M6x60	CLATI660	09520309	60	30	14	16	5	250	15	60
M8x80	CLATI880	09520310	80	39,3	16	20	6,2	450	15	60
M10x100	CLATI10100	09520321	100	48	20	25	8	600	15	60
M12x120	CLATI12120	09520332	120	61	25	30	10	850	15	60

These products are not PPE (Personal Protection Equipment)