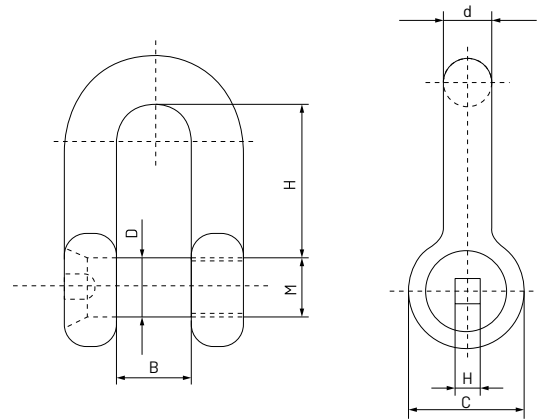


Trawling d-shackle socket head



The high-resistance steel component of its structure ensures that great working loads can be lifted with a smaller shackle. Besides, its socket head ensures greater safety when lifting loads.

MATERIAL: High resistance steel C45
FINISH: Black

TIPS: For correct assembly, the hook must always be attached to the shackle bolt and the sling, the wire or rope must be attached to the shackle bow. Assembly must never

be carried out in reverse order. In order not to compromise safety, the SWL established for each size must never be exceeded.

Size D/d	Denomination	Part Number	B	H	C	M	h	Workload W.L.L (kg)	Box Quantity	Outer Box Quantity
20/22	09528505	GRPE2022	32	64	45	M22	10	3.000	1	16
22/25	09528513	GRPE2225	37	74	50	M24	12	4.000	1	10
25/28	09528521	GRPE2528	43	85	55	M27	12	5.000	1	8