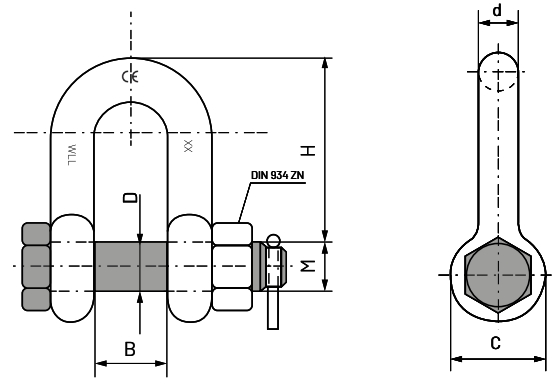


Heavy-duty d-type shackle with nut and cotter pin



The high-resistance steel component of its structure ensures that great working loads can be lifted with a smaller shackle, thus facilitating its handling. Each shackle is marked with its size and its working load in tonnes, guaranteeing the correct choice.

The hex-head screw with nut and pin, which acts as a bolt, guarantees the level of safety required.

TIPS: For correct assembly, the hook must always be attached to the shackle bolt and the sling, the wire or rope must be attached to the shackle bow. Assembly must never

MATERIAL: High resistance steel
Body: Steel C45
Shackle bolt: Alloy steel

FINISH: Body: Galvanized
Shackle bolt: Red

be carried out in reverse order. In order not to compromise safety, the SWL established for each size must never be exceeded.

Nominal size (mm)	Denomination	Part Number	B	D	d	H	C	Workload W.L.L (kg)	Box Quantity	Outer Box Quantity
5	GRART105	09528134	9,98	6,35	5,20	19,05	14,29	330	50	400
6	GRART106	09528142	11,91	7,94	6,35	22,23	17,46	500	50	400
8	GRART108	09528150	13,49	9,53	7,94	26,19	20,64	750	50	200
10	GRART110	09528169	16,67	11,11	9,53	31,75	24,61	1.000	50	50
12	GRART112	09528177	20,64	15,88	12,70	41,28	30,16	2.000	25	25
16	GRART116	09528185	26,99	19,05	15,88	50,80	39,69	3.250	25	25
19	GRART119	09528193	31,75	22,23	19,05	60,33	47,63	4.750	5	20