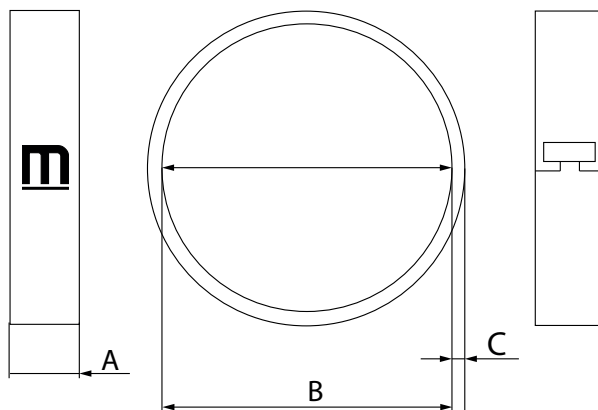


The T-Form Multi-Crimp Ring is manufactured in such a way as to remain perfectly circular when pressure is applied to it, ensuring a tight fit. These rings are used above all in series production. This is a reliable, durable and economical option which is tamper-proof once assembled. Compression rings are used to ensure a perfect assembly of hose and coupling. Once the ring which is closest to the outer diameter of the hose or tube in question has been selected, the ring is compressed or swaged using a special tool which reduces its diameter by up to 3mm until it fits snugly in the application.

MATERIAL: W4 - Steel AISI 304
FINISH: Stainless steel
CORROSION RESISTANCE: 400 hours salt spray (ASTM B-117)

Ø Application mm	Denomination	Part Number		B ±0.5	C +0.2-0.1	Box Quantity
		A: 7 mm	A: 10 mm			
16,5-19,5	T-Form ring 20	63036085	73036085	20	1,2	200
17,5-20,5	T-Form ring 21	63036106	73036106	21	1,2	200
18,5-21,5	T-Form ring 22	63036127	73036127	22	1,2	200
19,5-22,5	T-Form ring 23	63036148	73036148	23	1,2	200
20,5-23,5	T-Form ring 24	63036169	73036169	24	1,2	200
20,5-24,5	T-Form ring 25	63036180	73036180	25	1,2	200
21,5-25,5	T-Form ring 26	63036201	73036201	26	1,2	200
22,5-26,5	T-Form ring 27	63036222	73036222	27	1,2	200
23,5-27,5	T-Form ring 28	63036243	73036243	28	1,2	200
24,5-28,5	T-Form ring 29	63036264	73036264	29	1,2	200
25,5-29,5	T-Form ring 30	63036285	73036285	30	1,2	200



Ø Application mm	Denomination	Part Number		B ±0.5	C +0.2-0.1	Box Quantity
		A: 7 mm	A: 10 mm			
25,5-30,5	T-Form ring 31	63036306	73036306	31	1,2	200
26,5-31,5	T-Form ring 32	63036327	73036327	32	1,2	200
27,5-32,5	T-Form ring 33	63036348	73036348	33	1,2	200
28,5-33,5	T-Form ring 34	63036369	73036369	34	1,2	200
29,5-34,5	T-Form ring 35	63036380	73036380	35	1,2	200
30,5-35,5	T-Form ring 36	63036401	73036401	36	1,2	200
31,5-36,5	T-Form ring 37	63036422	73036422	37	1,2	200
32,5-37,5	T-Form ring 38	63036443	73036443	38	1,2	200
33,5-38,5	T-Form ring 39	63036464	73036464	39	1,2	200
34,5-39,5	T-Form ring 40	63036485	73036485	40	1,2	200
35,5-40,5	T-Form ring 41	63036501	73036501	41	1,2	200
36,5-41,5	T-Form ring 42	63036523	73036523	42	1,2	200