

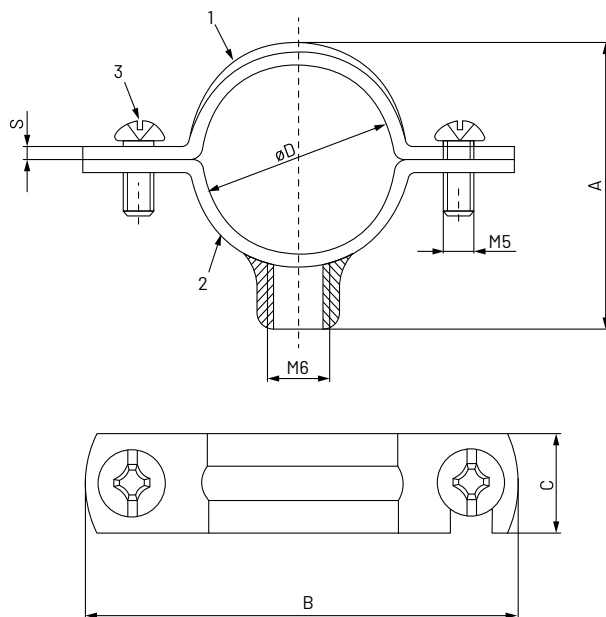
This clamp is usually fixed to ceilings and enables to pass a pipe of any desired diameter. It is fixed to the wall by means of a lag screw and a plug where the clamp is screwed on.

It has two screws to open the clamp without having to detach it from the wall. This enables the pipe to be extracted or positioned. Its central ring reinforces the bridge and prevents it from bending during handling, thus ensuring a perfectly tight application.

Widely used in sanitation, electrical and construction works.

MATERIAL: Steel
FINISH: Zinc yellow plated

Ø Application	Part Number	A	B	C Max. Band width	S Thickness	Box Quantity	Outer Box Quantity
8	03011520	16	30	12,5	1,1	100	1.600
10	03011539	18	33	12,5	1,1	100	1.600
12	03011547	20	37	12,5	1,1	100	1.600
14	03011555	22	39	12,5	1,1	100	1.600
15	03011715	23	41	12,5	1,1	100	800
16	03011563	24	42	12,5	1,1	100	800
18	03011571	25	44	12,5	1,1	100	800
20	03011580	27	45	12,5	1,1	100	800
22	03011598	29	47	12,5	1,1	100	800
25	03011600	33	50	12,5	1,1	100	800



\varnothing Application	Part Number	A	B	C Max. Band width	S Thickness	Box Quantity	Outer Box Quantity
28	03011627	35	53	12,5	1,1	100	800
30	03011635	38	56	12,5	1,1	50	400
32	03011643	39	58	12,5	1,1	50	400
35	03011651	42	62	12,5	1,1	50	400
37	03011660	44	63	12,5	1,1	50	400
42	03011678	69	50	12,5	1,1	25	200
47	03011686	75	54	12,5	1,1	25	200
50	03011694	77	56	12,5	1,1	25	200
60	03011707	83	62	12,5	1,1	15	120