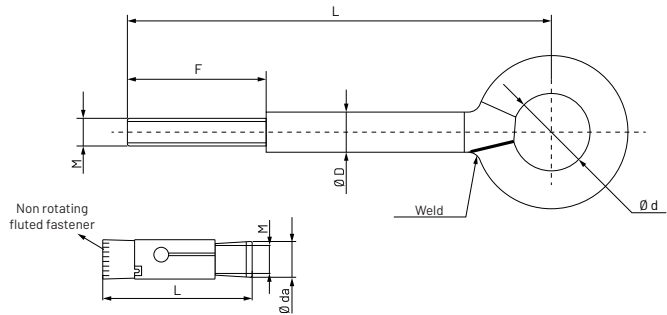


Scaffolding anchor Ø24 M-8 - Welded



Anchor with metric thread that can be threaded into a metal plug for M8 façades and scaffolds. Once threaded, it activates the metal plug system that expands inside the hole generating pressure on the walls, achieving a highly secure fastening. The 24 mm ring can host any element that improves the fastening.

MATERIAL: Steel - Fe
FINISH: Zinc plated

| Denomination | Part Number | M Metric thread | Ø D ± 0.2 | L ± 1 | Ø d Min. - Max. | F ± 1 | Box Quantity | Outer Box Quantity |
|--------------|-------------|--------------------|--------------|----------|--------------------|----------|-----------------|-----------------------|
| ASM24-12135 | 09112124 | M8 | 12 | 135 | 23,0-25,0 | 43,0 | 25 | 100 |
| ASM24-12160 | 09112132 | M8 | 12 | 160 | 23,0-25,0 | 43,0 | 25 | 100 |
| AFM24-12180 | 09112140 | M8 | 12 | 180 | 23,0-25,0 | 43,0 | 25 | 100 |