

Mikalor SMS P-Clips are ideal for attaching and retaining cable conduits, hoses and tubes in construction, sanitary and particularly in automotive applications. They are widely used in agricultural machinery, boatbuilding, commercial vehicles, construction equipment, etc.

The anti-vibration EPDM rubber profile helps to hold pipes, hoses and conduits firmly in place without chafing or damage to the clamping area.

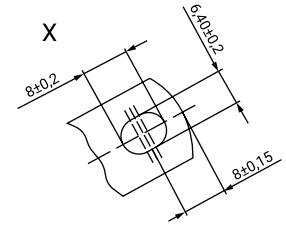
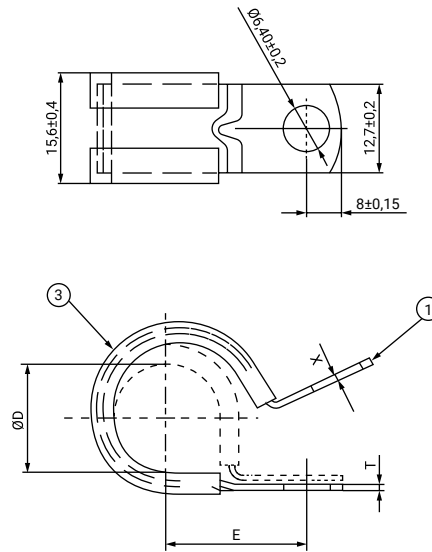
In contrast to DIN 3016 P-Clips, SMS P-Clips have one round hole and one oval hole. This unique feature allows for certain flexibility when fixing these clips in place.

**MATERIAL:** W1 Stainless Steel  
**CORROSION RESISTANCE:** S350+Z275  
 144 hours salt spray (ASTM B-117)

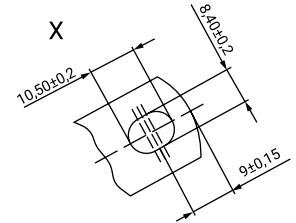
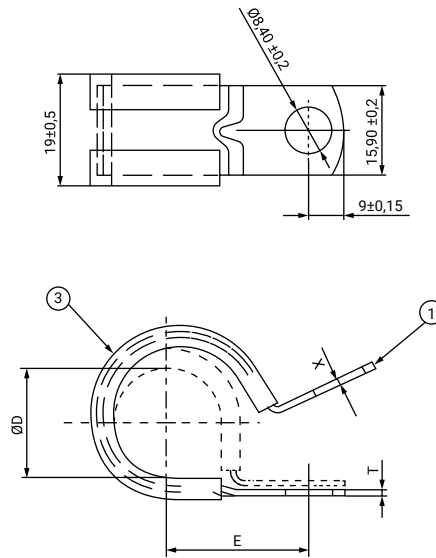
Mikalor SMS P-Clips are available in two bandwidths. 12,7mm (with an M6 hole) and 15,9mm (with an M8 hole).

- \* Special diameters are available on request.
- \* Other types of rubber lining are also available.

Denomination	Part Number	Ø D ±0.4	E ±0.4	T ±0.1	Box Quantity	Outer Box Qty.
SMS 4/12	03025007	4,8	15,4	0,8	500	2.000
SMS 6/12	03025015	6,4	16,2	0,8	500	500
SMS 7/12	03025022	7,9	17,0	0,8	500	500
SMS 9/12	03025066	9,5	17,8	0,8	500	500
SMS 10/12	03025067	10,0	18,0	0,8	500	500
SMS 11/12	03025069	11,1	18,6	0,8	500	500
SMS 12/12	03025077	12,7	19,4	1,0	200	200
SMS 13/12	03025082	13,0	19,6	1,0	200	200
SMS 14/12	03025090	14,3	20,2	1,0	200	200
SMS 15/12	03025106	15,9	21,0	1,0	200	800
SMS 17/12	03025122	17,5	21,8	1,0	200	800
SMS 19/12	03025144	19,0	22,6	1,0	200	200
SMS 20/12	03025155	20,6	23,4	1,0	200	200
SMS 22/12	03025169	22,2	24,2	1,0	100	100
SMS 23/12	03025185	23,8	25,0	1,0	100	100



Denomination	Part Number	Ø D ±0,4	E ±0,4	T ±0,1	Box Quantity	Outer Box Qty.
SMS 25/12	03025177	25,4	25,8	1,0	200	200
SMS 27/12	03025225	27,0	27,1	1,2	100	100
SMS 28/12	03025235	28,6	27,9	1,2	100	100
SMS 30/12	03025255	30,2	28,6	1,2	100	100
SMS 31/12	03025266	31,8	29,4	1,2	100	100
SMS 33/12	03025274	33,3	30,2	1,2	100	100
SMS 34/12	03025293	34,9	31,0	1,2	100	100
SMS 36/12	03025310	36,5	31,8	1,2	100	100
SMS 38/12	03025330	38,1	32,6	1,2	100	100
SMS 41/12	03025360	41,0	34,0	1,2	100	100
SMS 44/12	03025390	45,0	36,0	1,2	50	50
SMS 47/12	03025422	47,0	36,5	1,2	50	50
SMS 51/12	03025466	51,0	39,0	1,2	50	50
SMS 54/12	03025499	54,0	41,5	1,2	50	50
SMS 60/12	03025366	60,0	43,5	1,2	50	50
SMS 65/12	03025377	65,0	46,1	1,2	50	50
SMS 74/12	03025477	74,0	50,0	1,2	25	25
SMS 82/12	03025480	82,0	59,0	1,2	25	25
SMS 110/12	03025500	110,0	68,0	1,2	50	50



Denomination	Part Number	Ø D ±0.4	E ±0.4	T ±0.1	Box Quantity	Outer Box Qty.
SMS 6/15	03025600	6,4	16,2	0,8	500	500
SMS 7/15	03025611	7,9	17,0	0,8	500	500
SMS 9/15	03025622	9,5	17,8	0,8	200	200
SMS 11/15	03025633	11,1	18,6	0,8	200	200
SMS 12/15	03025644	12,7	19,4	1,0	200	200
SMS 14/15	03025655	14,3	20,2	1,0	200	200
SMS 15/15	03025666	15,9	21,0	1,0	200	200
SMS 17/15	03025677	17,5	21,8	1,0	200	200
SMS 19/15	03025688	19,0	22,6	1,0	200	200
SMS 20/15	03025699	20,6	23,4	1,0	200	200
SMS 22/15	03025700	22,2	24,2	1,0	100	100
SMS 23/15	03025711	23,8	25,0	1,0	100	100
SMS 25/15	03025722	25,4	25,8	1,0	100	100
SMS 27/15	03025733	27,0	27,1	1,2	100	100
SMS 30/15	03025744	30,2	28,6	1,2	100	100
SMS 31/15	03025755	31,8	29,4	1,2	100	100
SMS 33/15	03025766	33,3	30,2	1,2	100	100
SMS 35/15	03025777	34,9	31,0	1,2	100	100
SMS 36/15	03025788	36,5	31,8	1,2	100	100
SMS 38/15	03025799	38,1	32,6	1,2	50	50
SMS 40/15	03025800	40,0	33,5	1,2	50	50
SMS 41/15	03025811	41,0	34,0	1,2	50	50
SMS 44/15	03025822	44,0	35,5	1,2	50	50
SMS 45/15	03025833	45,0	36,0	1,2	100	100
SMS 47/15	03025844	47,0	36,5	1,2	100	100
SMS 51/15	03025855	51,0	39,0	1,2	50	50
SMS 55/15	03025866	55,0	42,0	1,2	50	50
SMS 60/15	03025877	60,0	43,5	1,2	50	50
SMS 64/15	03025888	64,0	45,6	1,2	50	50
SMS 75/15	03025899	75,0	50,5	1,2	25	25
SMS 110/15	03025900	110,0	68,0	1,2	50	50